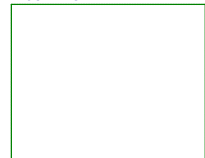
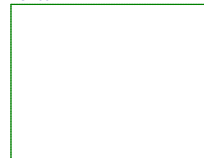


BLOCK DIAGRAM



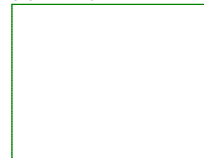
A\_CFG1

VG-230



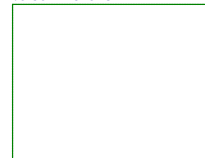
B\_CFG1

SYSTEM MEMORY



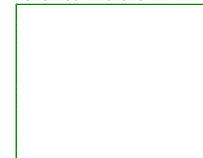
C\_CFG1

I/O CONNECTORS



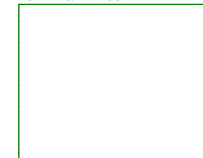
D\_CFG1

PCMCIA CONNECTORS



E\_CFG1

BUFFERS/PWR SUPPLY



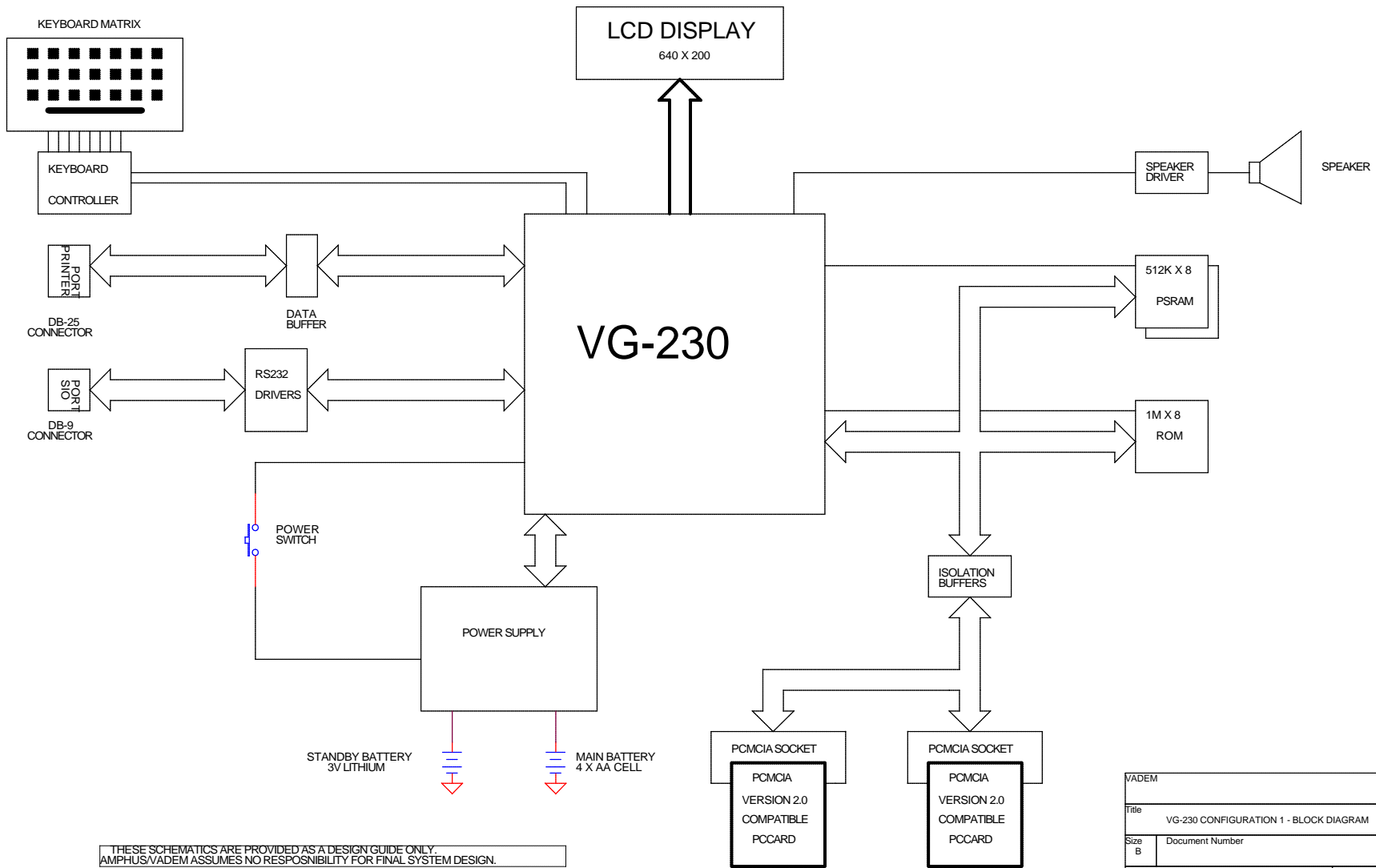
F\_CFG1

THESE SCHEMATICS ARE PROVIDED AS A DESIGN GUIDE ONLY.  
VADEM ASSUMES NO RESPONSIBILITY FOR FINAL SYSTEM DESIGN.

FILE=230CFG1.SCH

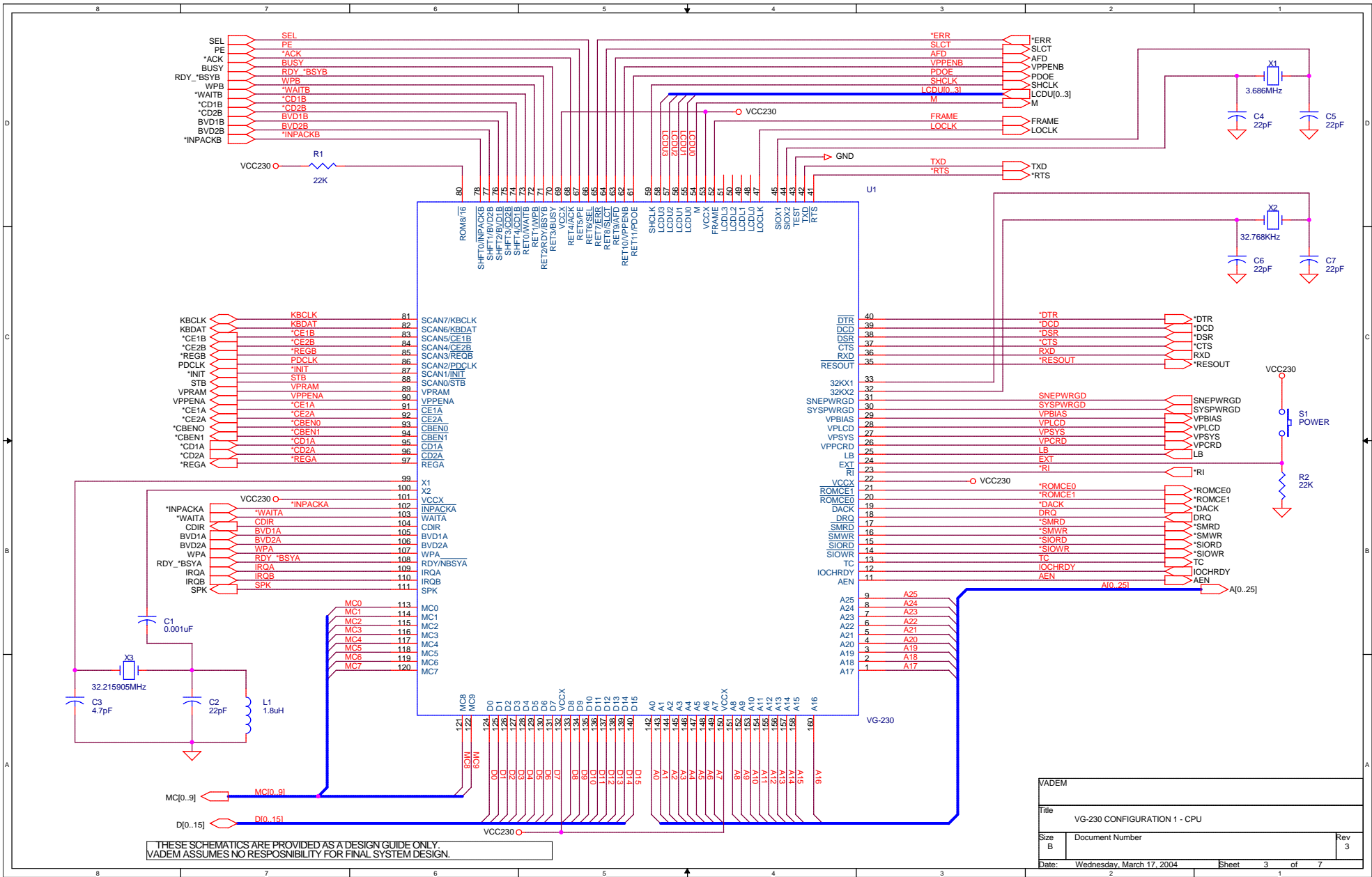
VADEM		
Title VG-230 SAMPLE SCHEMATIC - CONFIG. 1		
Size B	Document Number	Rev 3
Date: Wednesday, March 17, 2004	Sheet 1 of 7	

# VG-230 - CONFIGURATION 1

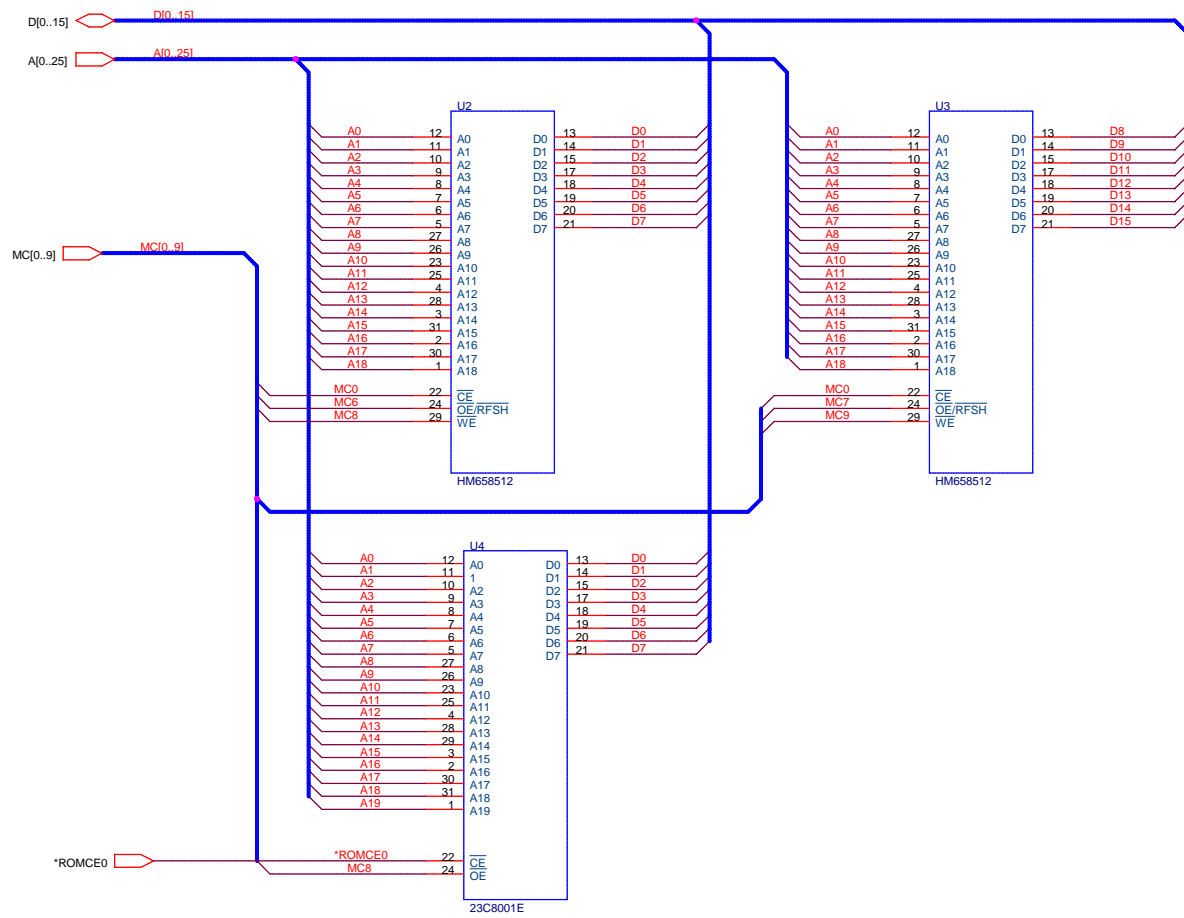


THESE SCHEMATICS ARE PROVIDED AS A DESIGN GUIDE ONLY.  
 AMPHUS/VADEM ASSUMES NO RESPONSIBILITY FOR FINAL SYSTEM DESIGN.

VADEM		
Title VG-230 CONFIGURATION 1 - BLOCK DIAGRAM		
Size B	Document Number	Rev 4
Date: Wednesday, March 31, 2004	Sheet 2 of 7	

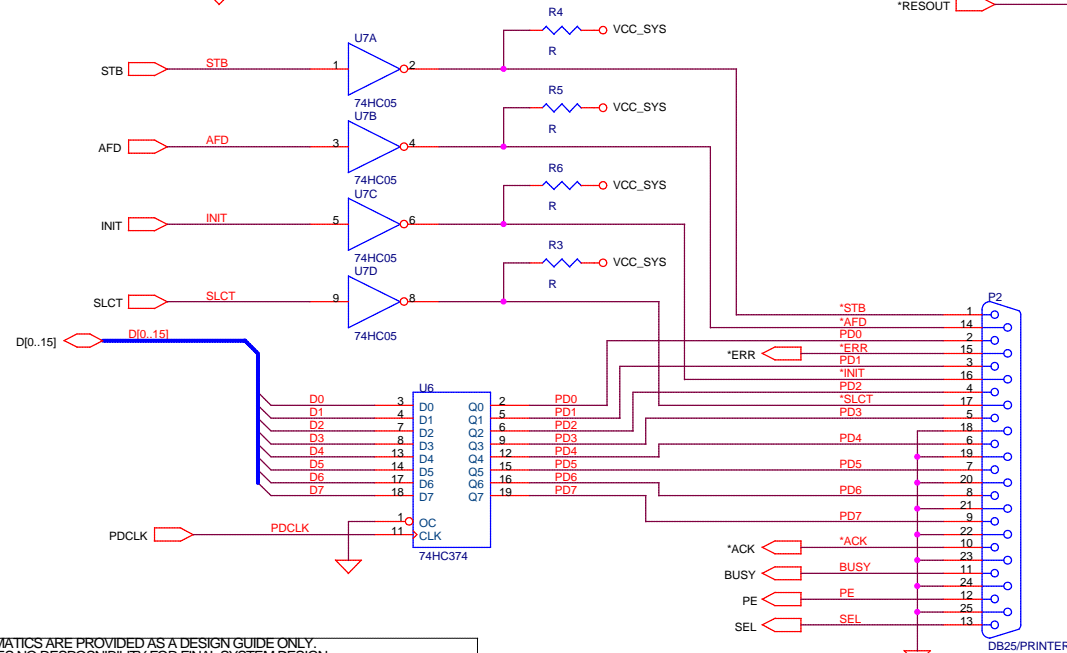
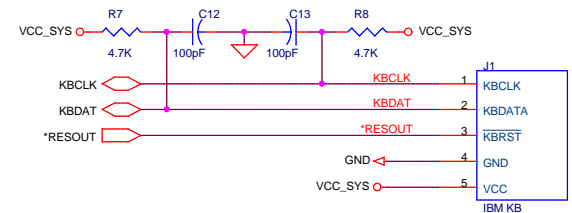
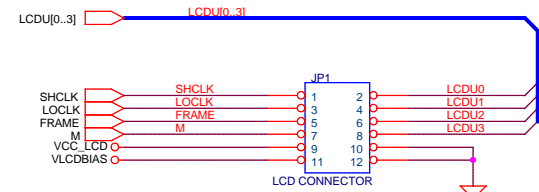
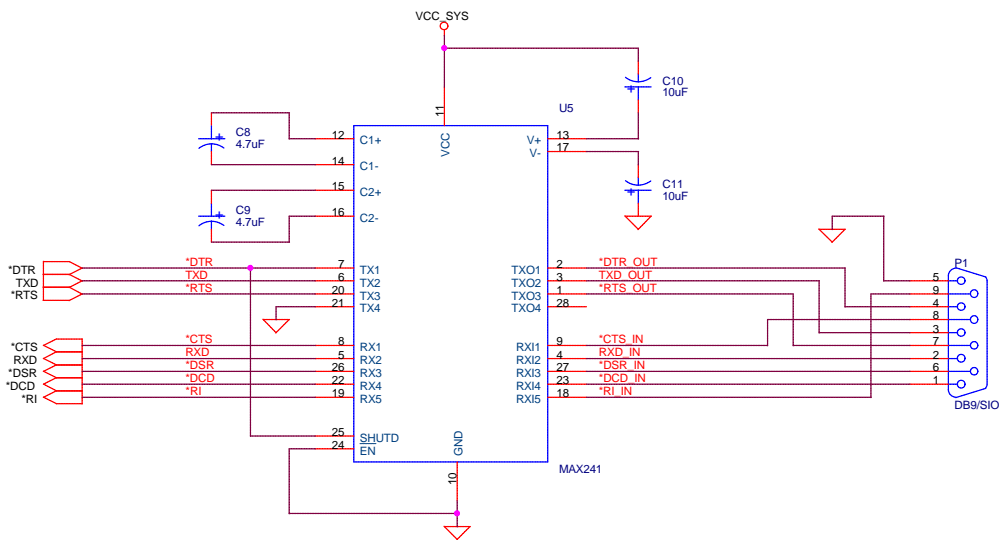


VADEM		
Title VG-230 CONFIGURATION 1 - CPU		
Size B	Document Number	Rev 3
Date: Wednesday, March 17, 2004	Sheet 3	of 7



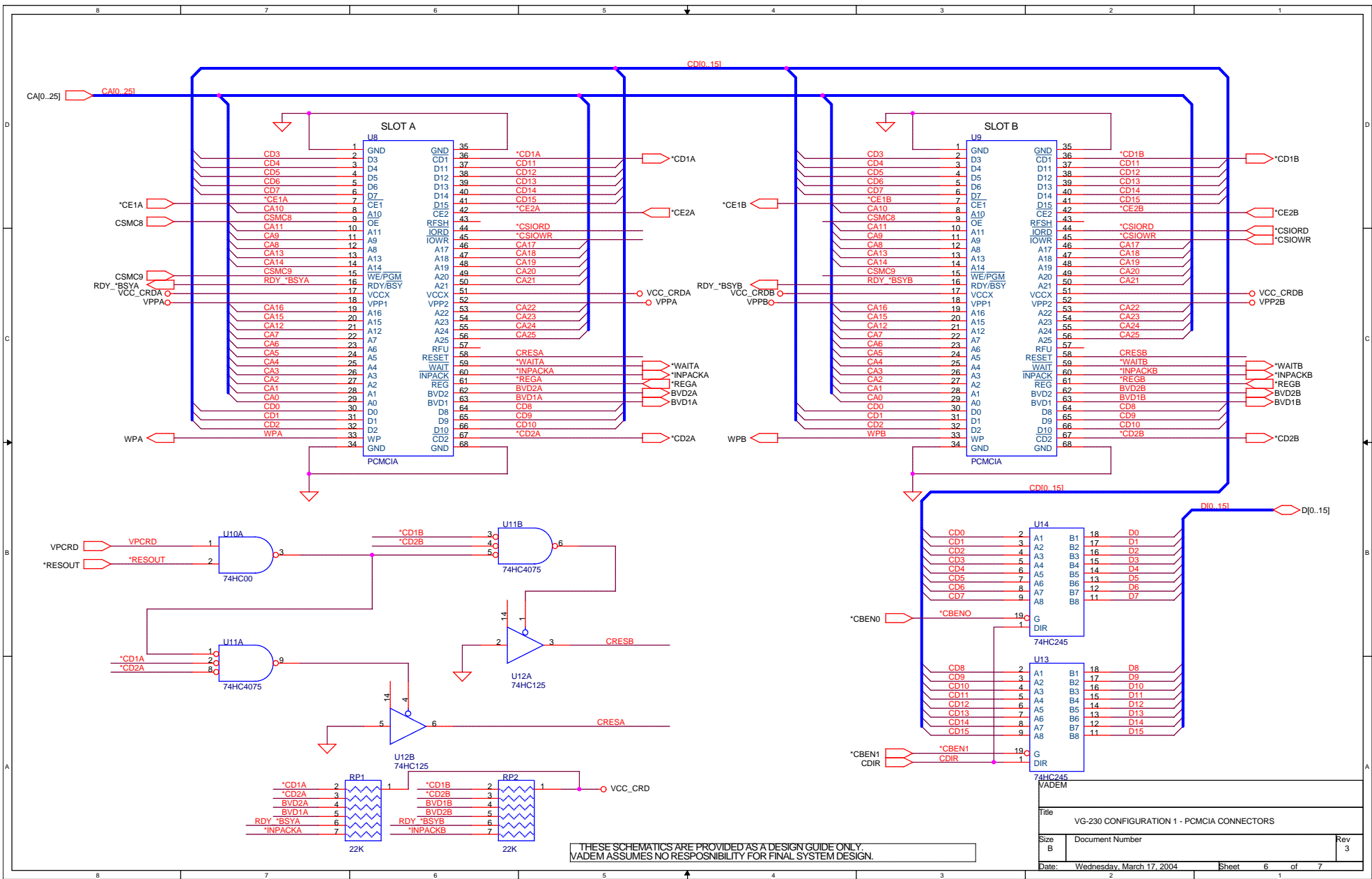
THESE SCHEMATICS ARE PROVIDED AS A DESIGN GUIDE ONLY.  
VADEM ASSUMES NO RESPONSIBILITY FOR FINAL SYSTEM DESIGN.

VADEM		
Title VG-230 CONFIGURATION 1 - SYSTEM MEMORY		
Size B	Document Number	Rev 3
Date: Wednesday, March 17, 2004	Sheet 4 of 7	



THESE SCHEMATICS ARE PROVIDED AS A DESIGN GUIDE ONLY. VADEM ASSUMES NO RESPONSIBILITY FOR FINAL SYSTEM DESIGN.

VADEM		
Title VG-230 CONFIGURATION 1 - I/O CONNECTORS		
Size B	Document Number	Rev 3
Date: Wednesday, March 17, 2004	Sheet 5	of 7



THESE SCHEMATICS ARE PROVIDED AS A DESIGN GUIDE ONLY.  
VADEM ASSUMES NO RESPONSIBILITY FOR FINAL SYSTEM DESIGN.

Title		
VG-230 CONFIGURATION 1 - PCMCIA CONNECTORS		
Size	Document Number	Rev
B		3
Date:	Wednesday, March 17, 2004	Sheet 6 of 7

