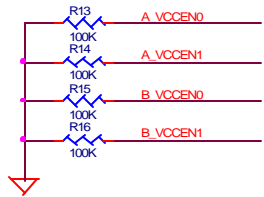


**NOTE 1**

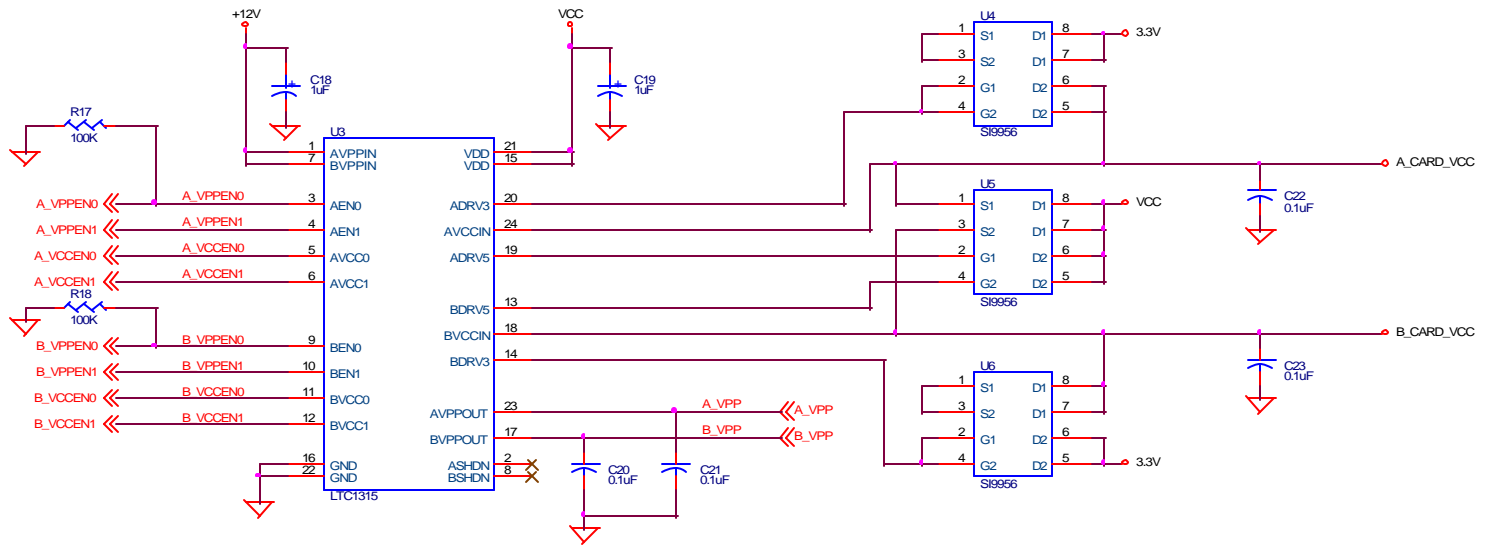


These schematics are provided as a design guide only. Vadem assumes no responsibility for final system design.

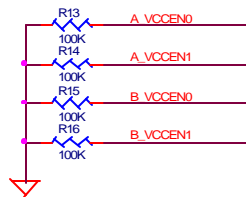
**NOTES:**

- 1: THESE RESISTORS SET THE OFF POLARITY OF THE VCC ENABLE SIGNALS DURING SYSTEM RESET.

VADEM		
Title VG-469 NOTEBOOK REF.2 - MAXIM POWER OPTION		
Size B	Document Number	Rev 3
Date: Thursday, February 06, 2003	Sheet 0 5A of 5	



**NOTE 1**



**NOTES:**

- 1: THESE RESISTORS SET THE 'OFF' POLARITY OF THE VCC ENABLE SIGNALS DURING SYSTEM RESET.

These schematics are provided as a design guide only. Vadem assumes no responsibility for final system design.

FILE=REF1PG5B.SCH

VADDEM		
Title VG-469 NOTEBOOK REF. 2 - LINEAR POWER OPTION		
Size B	Document Number	Rev 3
Date: Thursday, February 06, 2003	Sheet 0	5 of 5

# VG-469

## REFERENCE DESIGN #2

### NOTEBOOK IMPLEMENTATION

EXTERNAL VOLTAGE SENSE  
NO PLUG & PLAY  
DMA SUPPORT

These schematics are provided as a design guide only.  
Vadem assumes no responsibility for final system design.

LINK  
REF\_2PG2SCH  
REF\_2PG3SCH  
REF\_2PG4SCH  
REF\_2PG5SCH  
REF2PG5A.SCH  
REF2PG5B.SCH

FILE=469REF\_2SCH

VADEM		
Title VG-469 NOTEBOOK REFERENCE DESIGN		
Size B	Document Number	Rev 3
Date: Thursday, February 06, 2003	Sheet 1	of 5

# VG-469

These schematics are provided as a design guide only. Vadem assumes no responsibility for final system design.

NOTE:  
1. CONNECTION SHOWN FOR 5V ISA BUS. FOR 3.3V ISA BUS, CONNECT R3 TO ISA\_VCC INSTEAD OF GROUND.

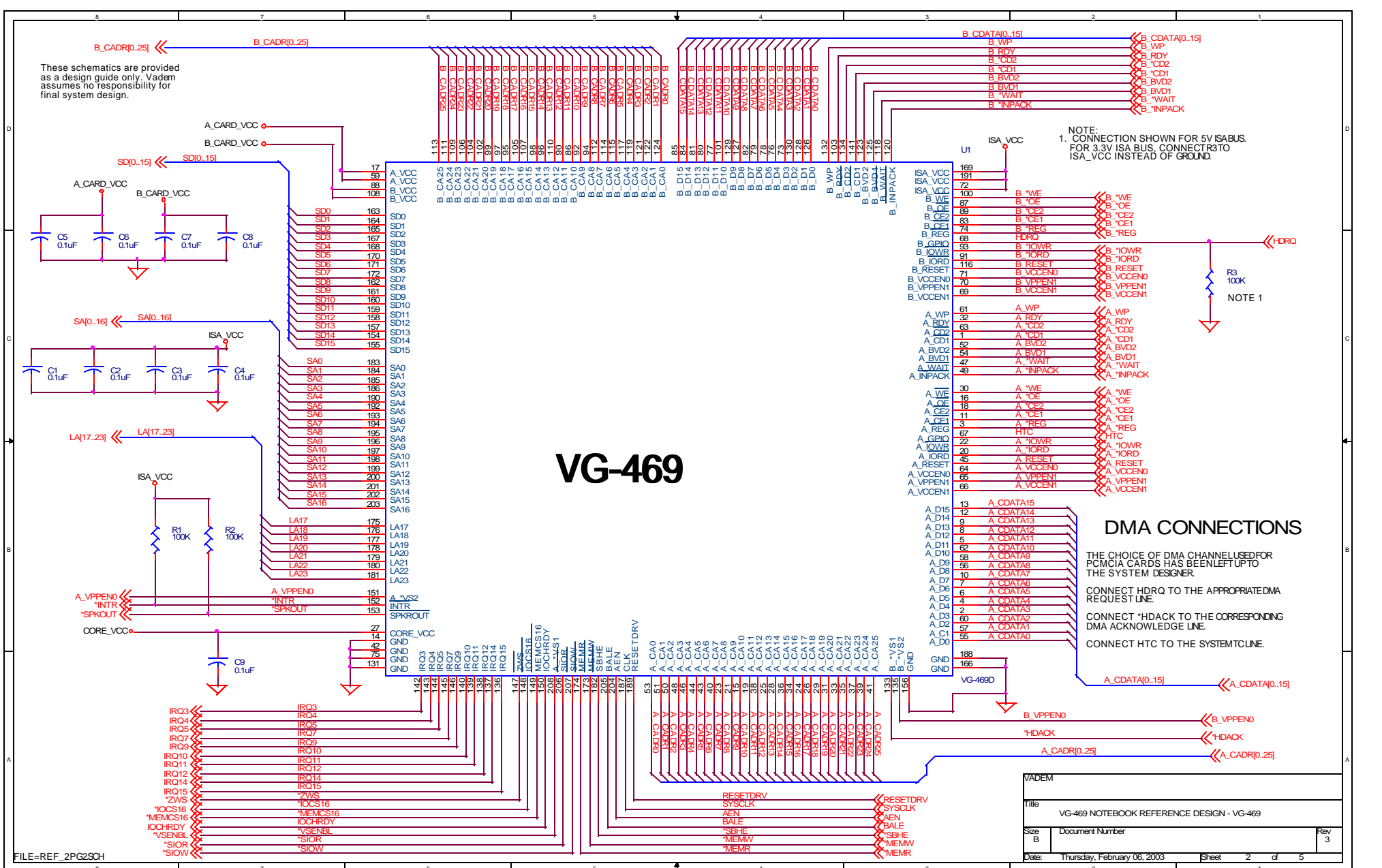
## DMA CONNECTIONS

THE CHOICE OF DMA CHANNEL USED FOR PCMCIA CARDS HAS BEEN LEFT UP TO THE SYSTEM DESIGNER.

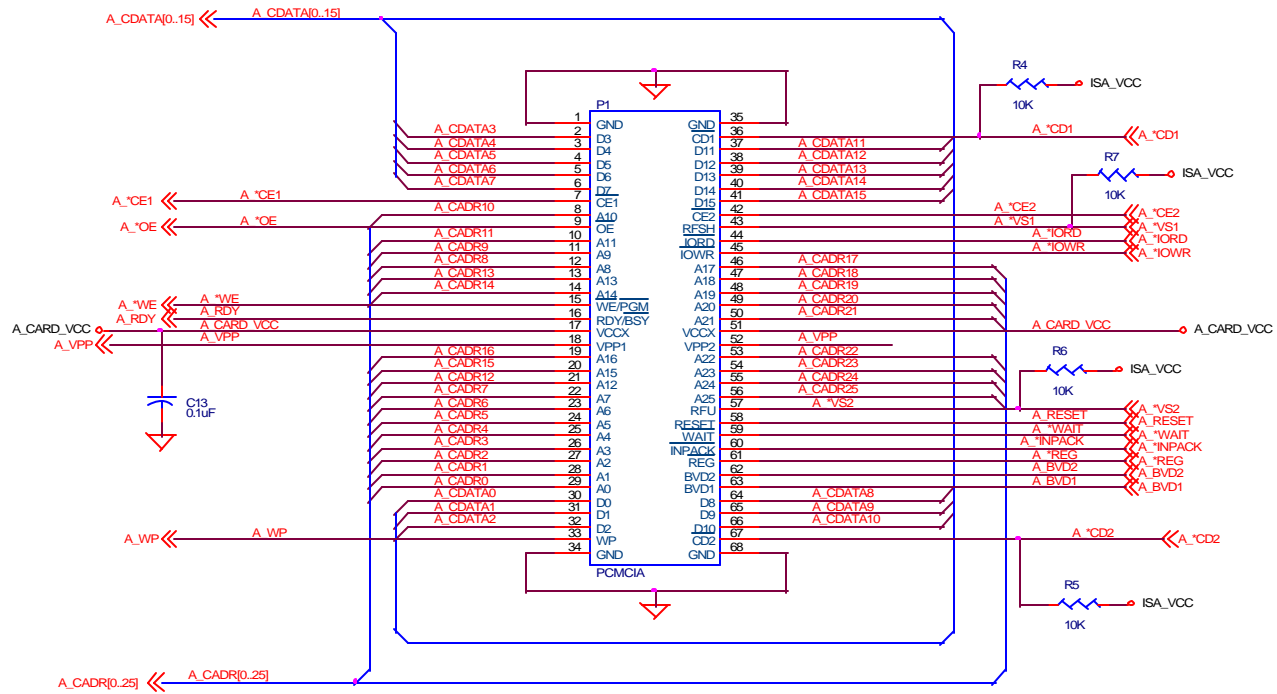
CONNECT HDQR TO THE APPROPRIATE DMA REQUEST LINE.

CONNECT \*HDACK TO THE CORRESPONDING DMA ACKNOWLEDGE LINE.

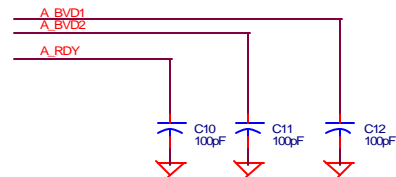
CONNECT HTC TO THE SYSTEM CLINE.



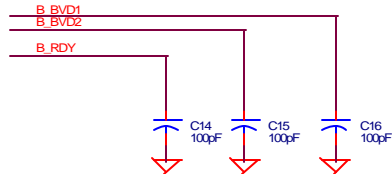
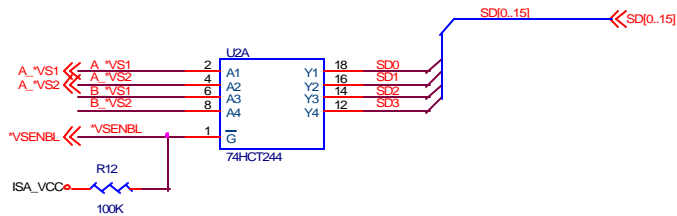
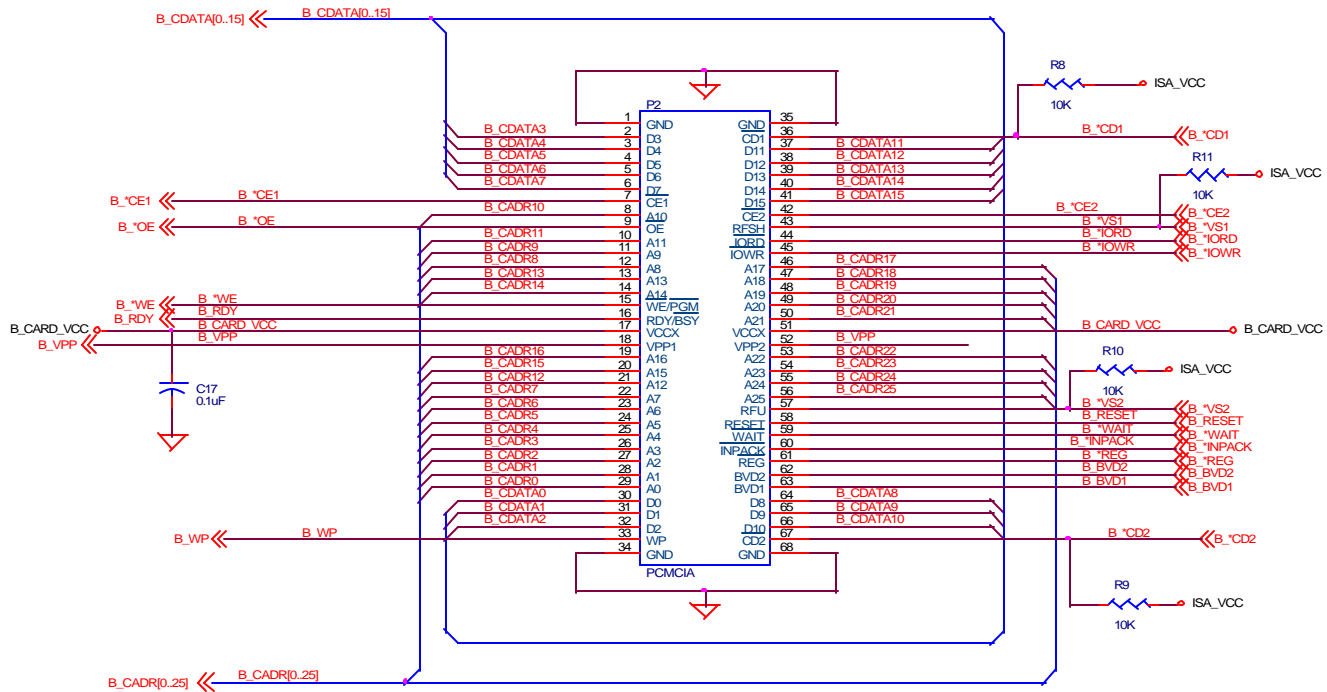
Title		VG-469 NOTEBOOK REFERENCE DESIGN - VG-469	
Size	Document Number		Rev 3
Date:	Thursday, February 06, 2003	Sheet	2 of 5



These schematics are provided as a design guide only.  
Vadem assumes no responsibility for final system design.



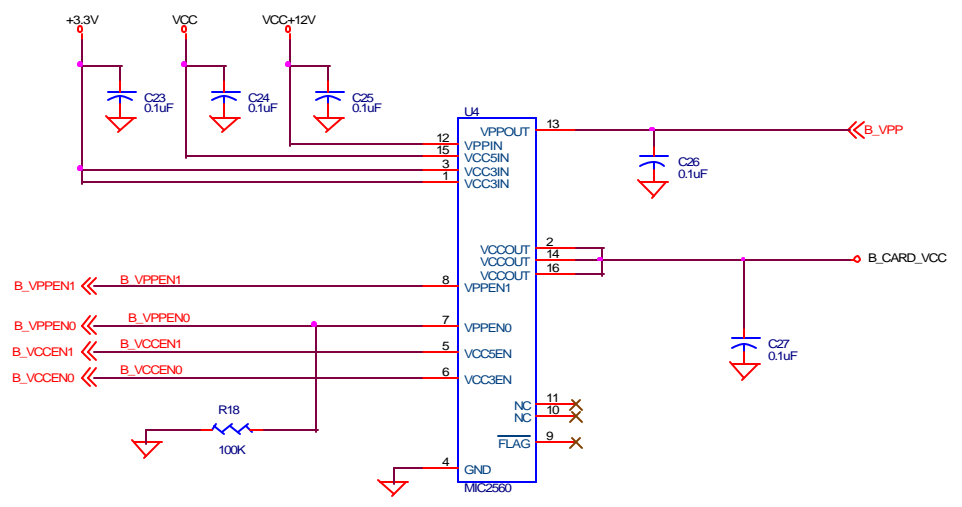
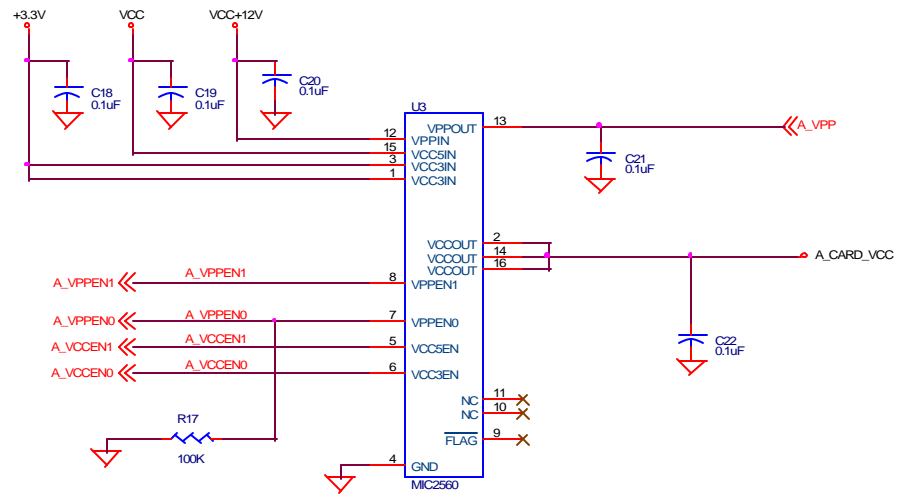
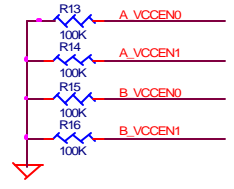
VADEM		
Title VG-469 NOTEBOOK REFERENCE - PCMCIA SLOT A		
Size B	Document Number	Rev 3
Date:	Thursday, February 06, 2003	Sheet 3 of 5



These schematics are provided as a design guide only. Vadem assumes no responsibility for final system design.

VADEM		
Title VG-469 NOTEBOOK REFERENCE - PCMCIA SLOT B		
Size B	Document Number	Rev 3
Date: Thursday, February 06, 2003	Sheet 4	of 5

NOTE:  
 THESE RESISTORS SET  
 THE "OFF" POLARITY  
 OF THE VCC ENABLE  
 SIGNALS DURING SYSTEM  
 RESET.



These schematics are provided as a design guide only.  
 Vadem assumes no responsibility for final system design.

VADEM		
Title: VG-469 NOTEBOOK REF. 2 - MICREL POWER OPTION		
Size: B	Document Number	Rev: 3
Date: Thursday, February 06, 2003	Sheet: 5	of 5