

VG-469

REFERENCE DESIGN #5

DRIVE BAY IMPLEMENTATION

ONE SLOT LOCAL
ONE SLOT REMOTE

5V ISA VCC ONLY

EXTERNAL VOLTAGE SENSE

DMA

ISA BOARD

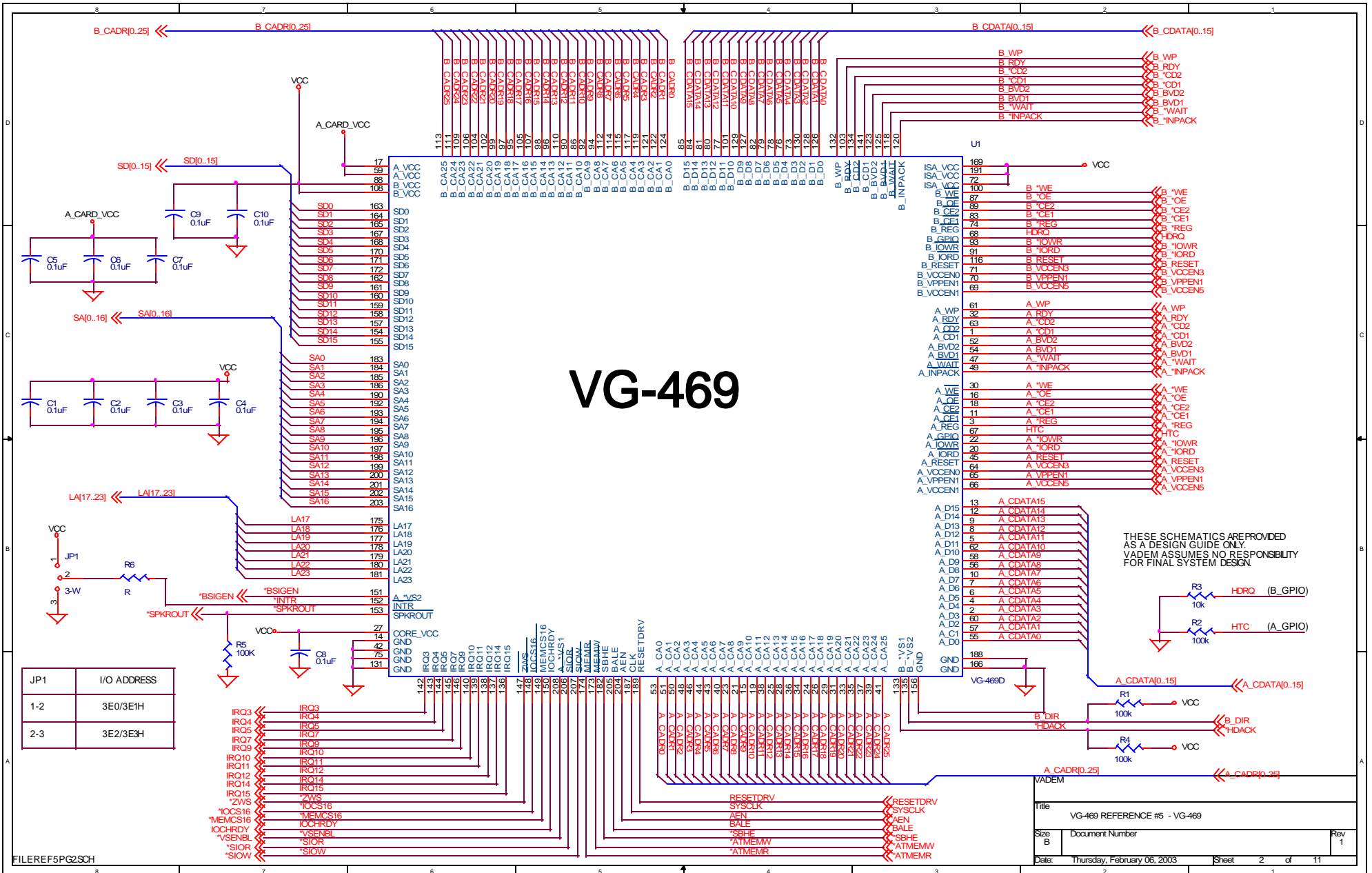
LINK
REFSPG2SCH
REFSPG3SCH
REFSPG4SCH
REFSPG5SCH
REFSPG6SCH
REFSPG7SCH
REFSPG8SCH
REFSPG9SCH
REFSPG10SCH
REFSPG11SCH

These schematics are provided as a design guide only.
Vadem assumes no responsibility for final system design.

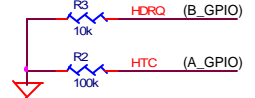
FILE=469REF_5SCH

VADEM		
Title VG-469 REFERENCE DESIGN #5		
Size B	Document Number	Rev 1
Date: Wednesday, December 08, 1999	Sheet 1	of 11

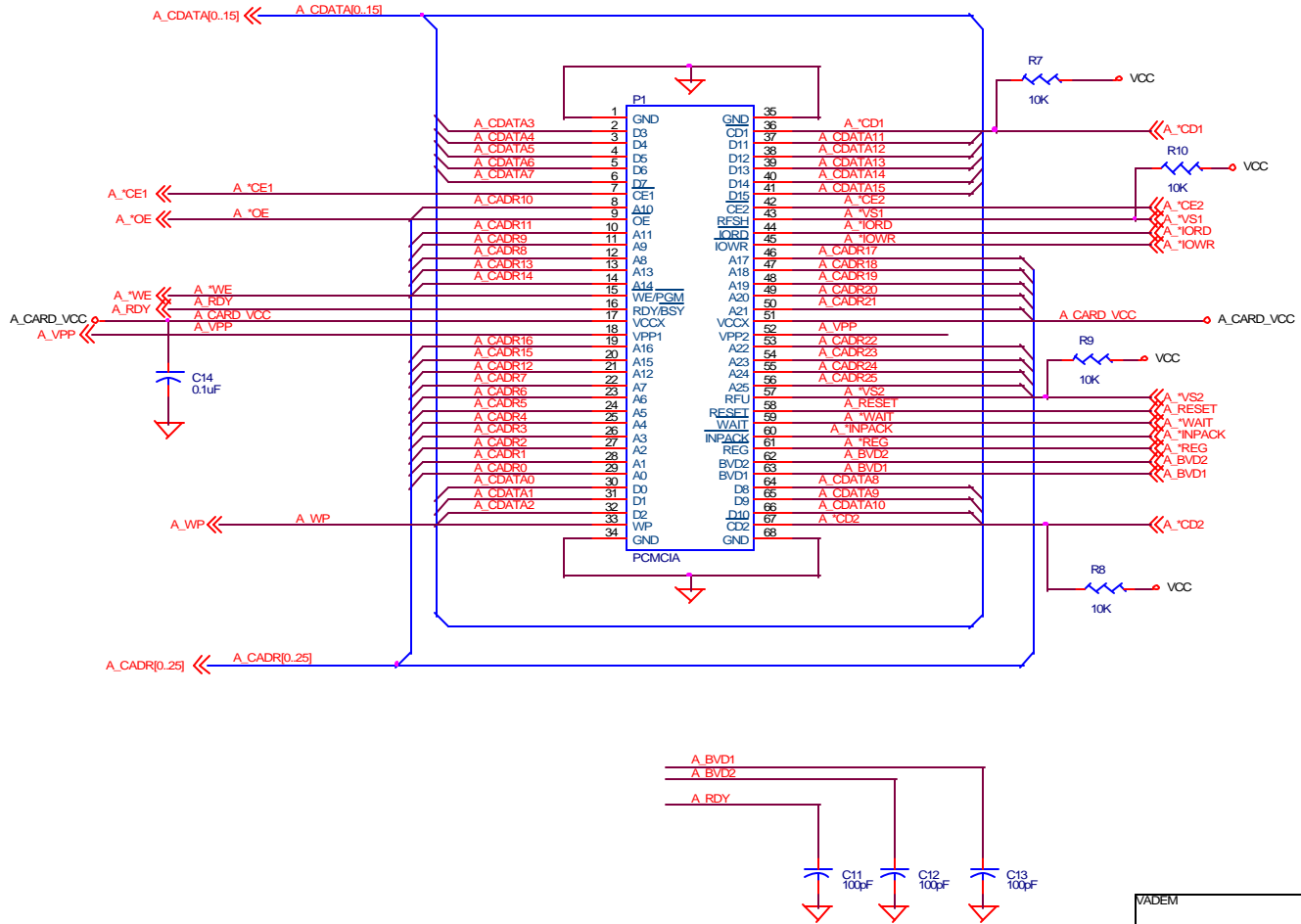
VG-469



THESE SCHEMATICS ARE PROVIDED AS A DESIGN GUIDE ONLY. VADEM ASSUMES NO RESPONSIBILITY FOR FINAL SYSTEM DESIGN.



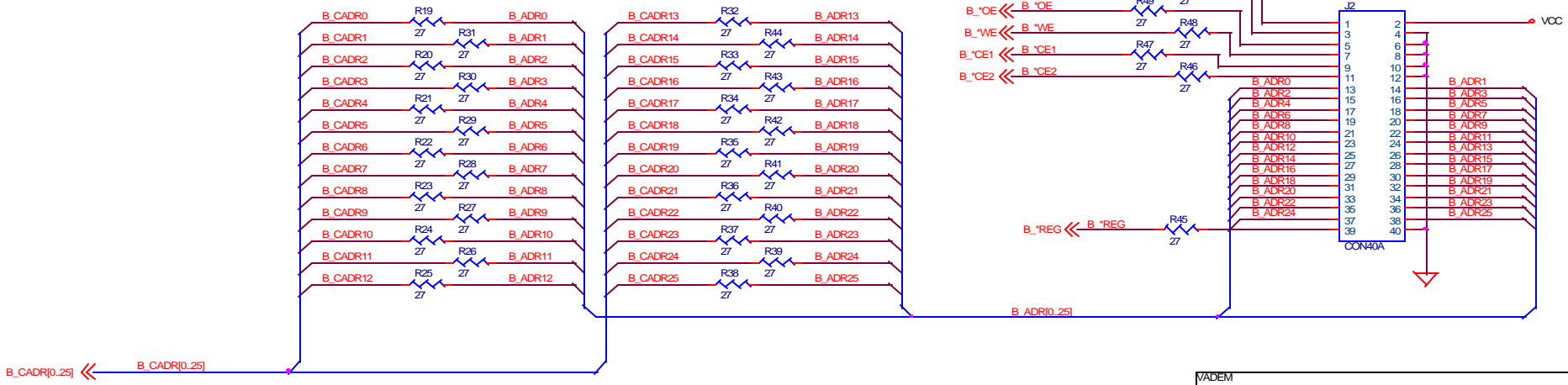
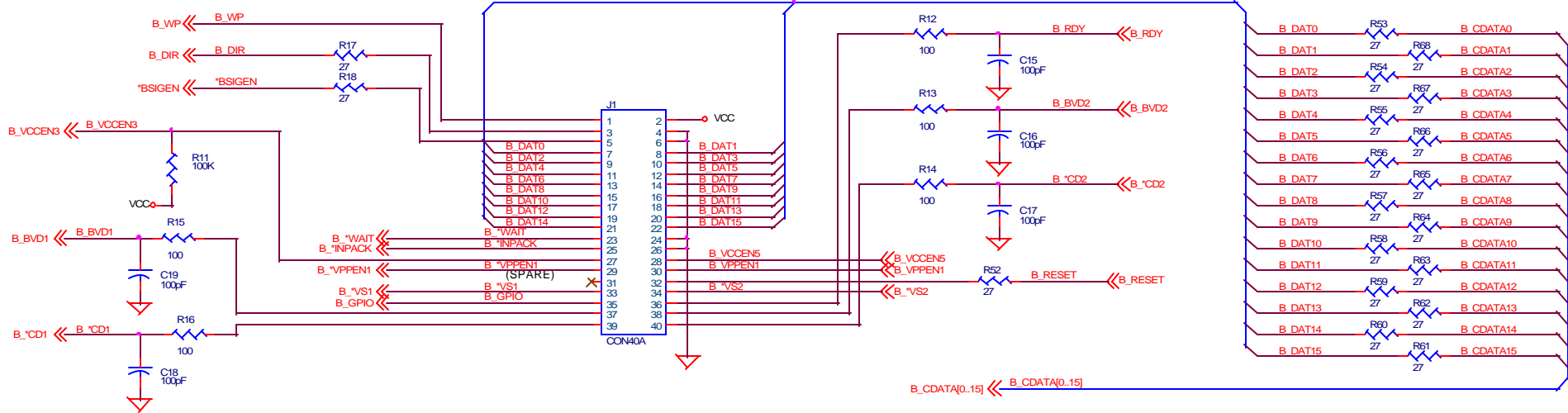
Title: VG-469 REFERENCE #5 - VG-469		
Size: B	Document Number	Rev: 1
Date: Thursday, February 06, 2003	Sheet: 2	of 11



These schematics are provided as a design guide only.
Vadem assumes no responsibility for final system design.

FILE=REF5PG3SCH

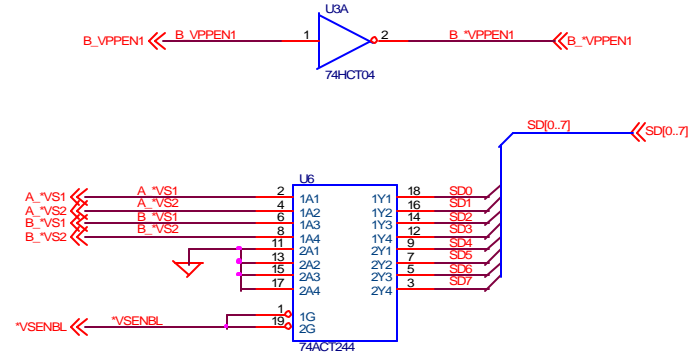
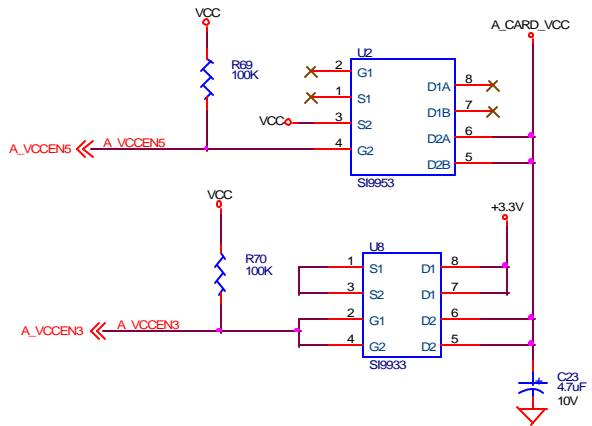
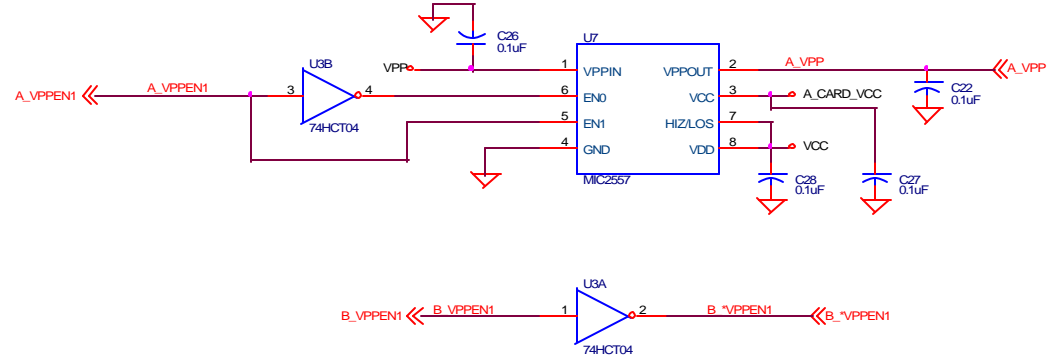
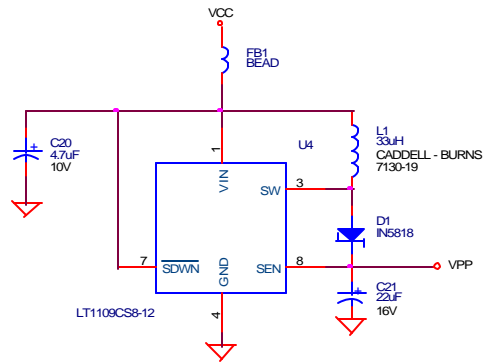
VADEM		
Title VG-469 REFERENCE #5 - PCMCIA SLOT A		
Size B	Document Number	Rev 1
Date: Wednesday, December 08, 1999	Sheet 3	of 11



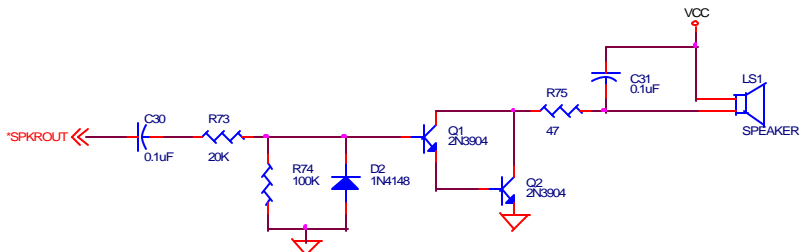
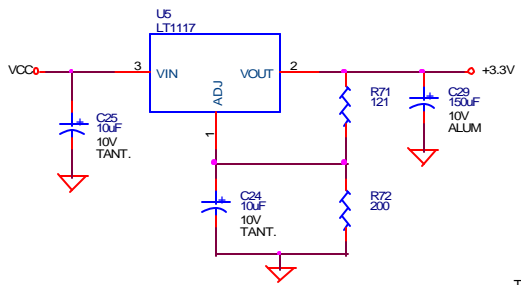
These schematics are provided as a design guide only. Vadem assumes no responsibility for final system design.

FILE=REF5PG4SCH

VADEM	
Title VG-469 REFERENCE #5 - CABLE CONNECTORS	
Size B	Document Number
Date: Thursday, February 06, 2003	Sheet 4 of 11
	Rev 1



EXTERNAL VOLTAGE SENSE

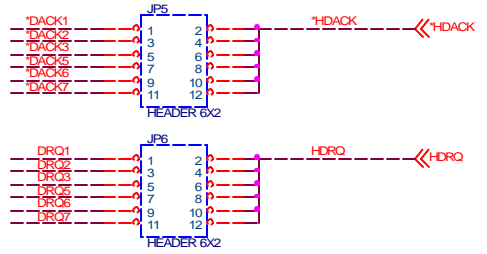


These schematics are provided as a design guide only. Vadem assumes no responsibility for final system design.

VADEM		
Title: VG-469 REFERENCE #5 - POWER CONTROL		
Size: B	Document Number	Rev: 1
Date: Thursday, February 06, 2003	Sheet: 5	of 11

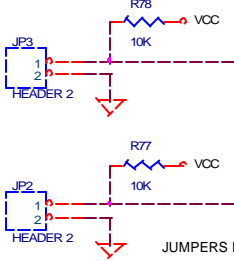
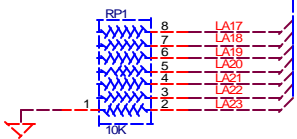
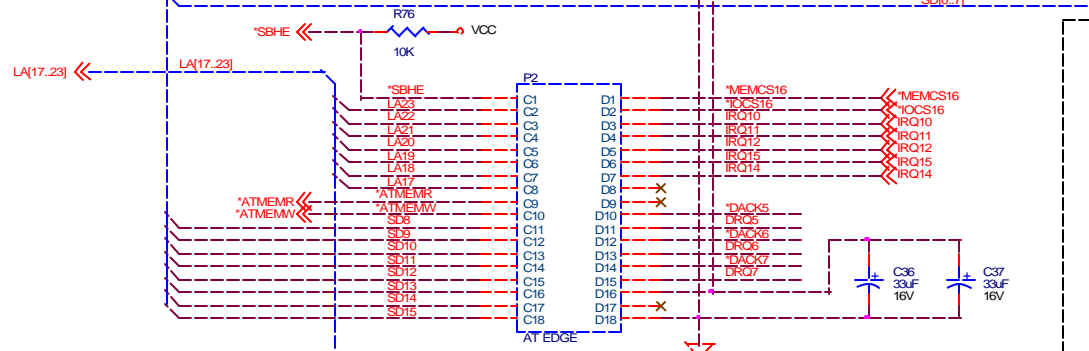
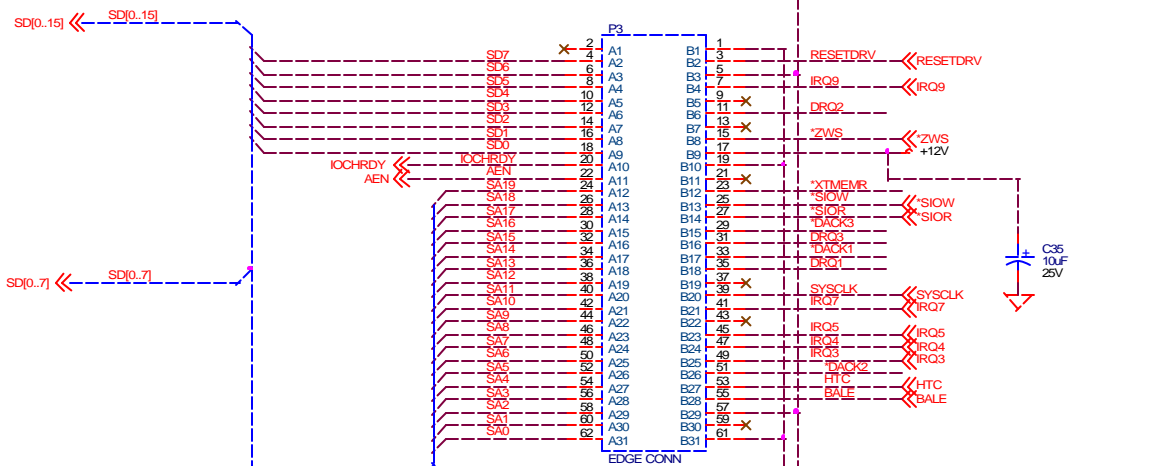
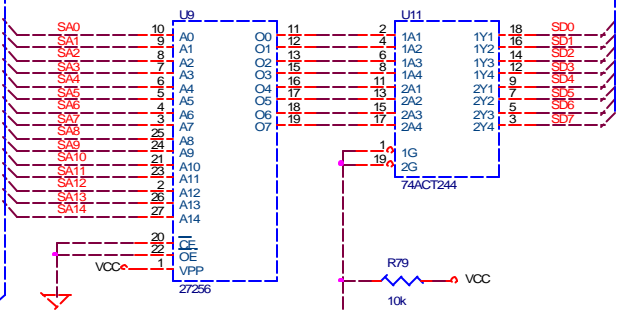
NOTE:

- 1: THE BOOT ROM OPTION HAS BEEN INCLUDED FOR SYSTEMS THAT WILL BOOT FROM A PCMCIA CARD. FOR SYSTEMS THAT DO NOT REQUIRE BOOTING FROM A PCMCIA CARD, THE COMPONENTS WITHIN THE DASHED LINE MAY BE DELETED.
- 2: JPS AND JP6 ARE USED TO SELECT THE DMA CHANNEL AS AN OPTION. THE DESIGNER CAN HARDWIRE A SINGLE DMA CHANNEL OR PROVIDE FEWER CHOICES FOR THE DMA CHANNEL.



These schematics are provided as a design guide only. Vadem assumes no responsibility for final system design.

BOOT ROM OPTION



JUMPERS FOR BOOT ROM ADDRESS SELECTION.

Title		VG-469 REFERENCE #5 - ISA INTERFACE	
Size	B	Document Number	Rev 1
Date:	Thursday, February 06, 2003	Sheet	6 of 11

VG-469

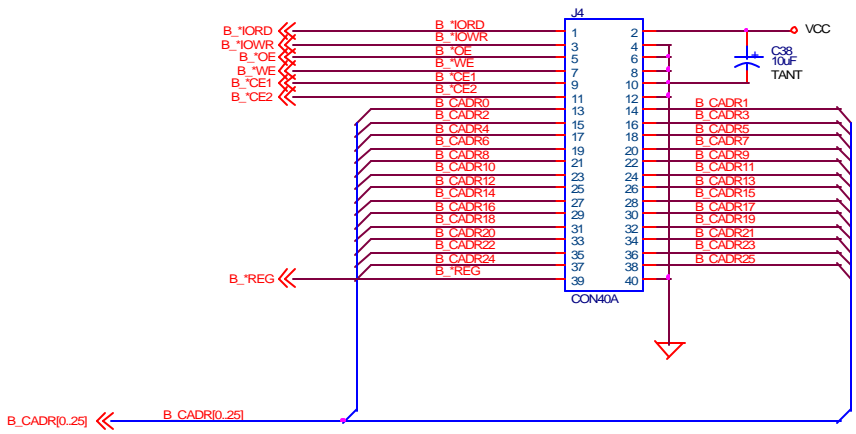
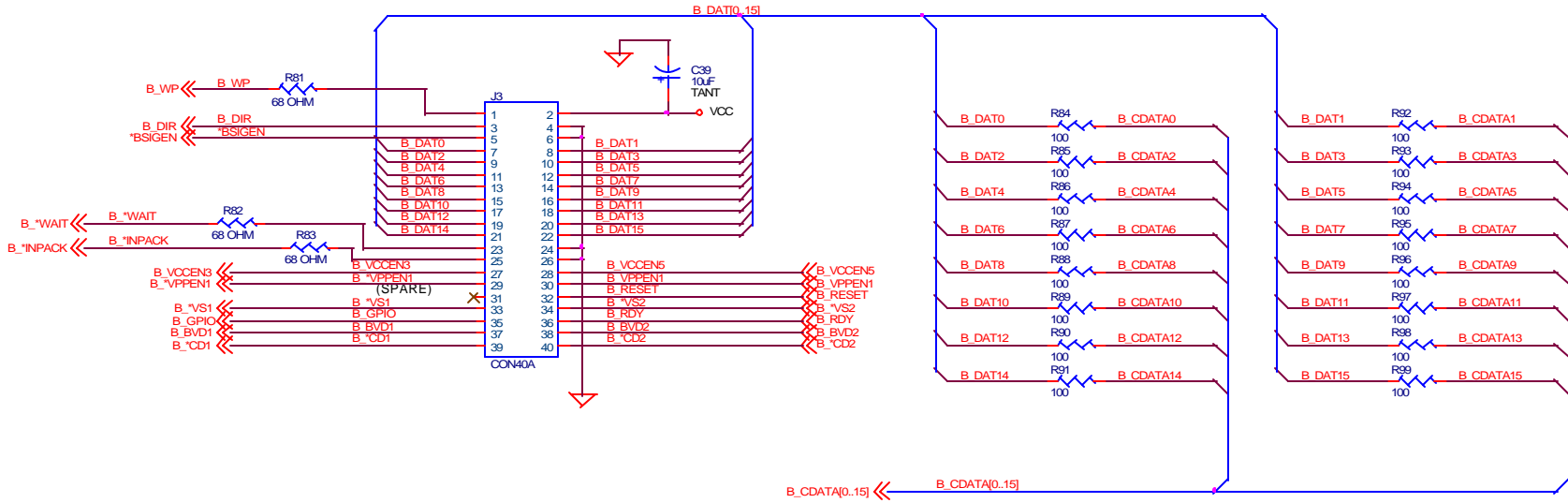
REFERENCE DESIGN #5

DRIVE BAY

These schematics are provided as a design guide only.
Vadem assumes no responsibility for final system design.

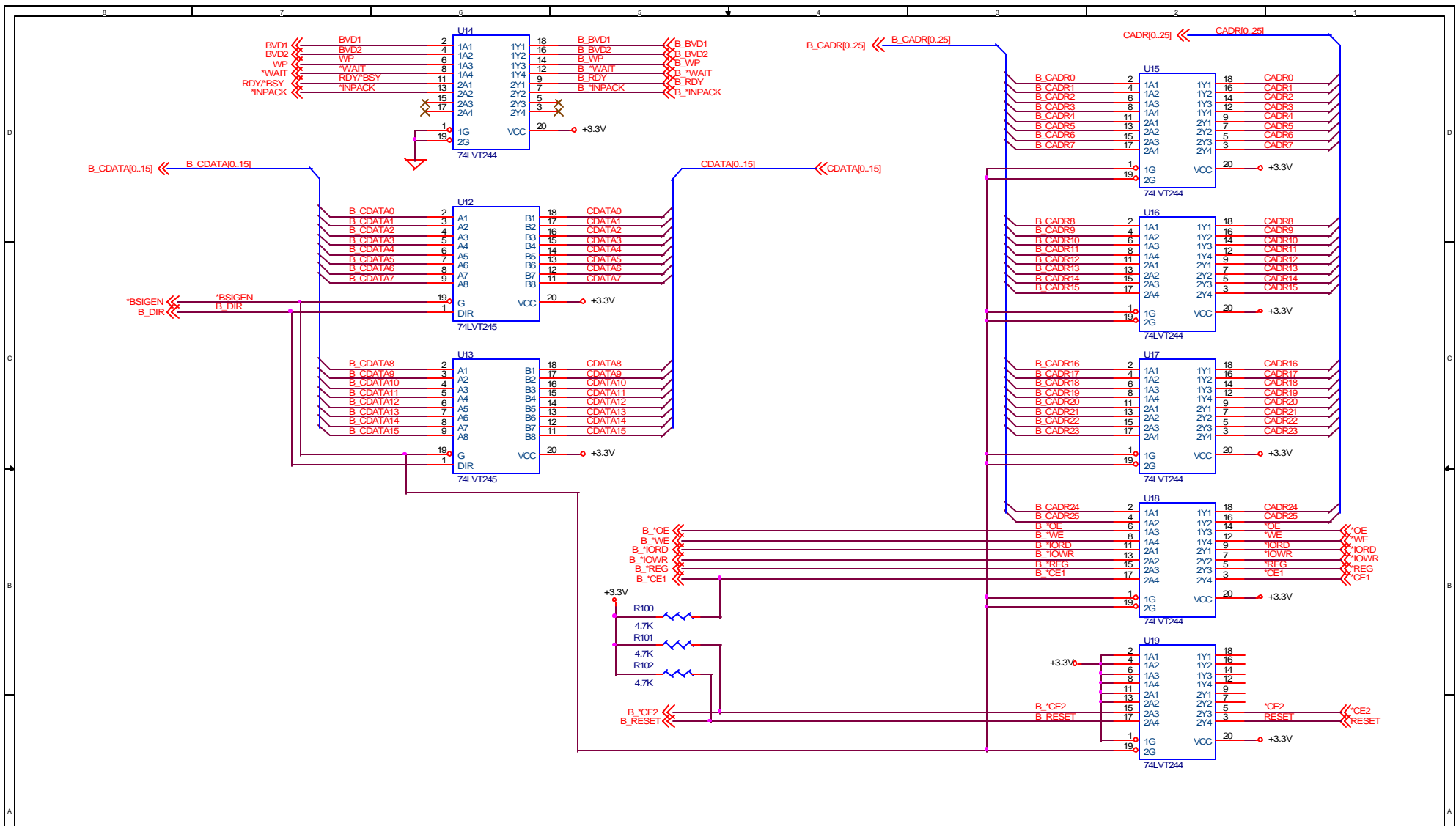
FILE=REF5PG7.SCH

VADEM		
Title		
VG-469 REFERENCE #5 - DRIVE BAY BOARD		
Size	Document Number	Rev
B		1
Date:	Wednesday, December 08, 1999	Sheet 7 of 11



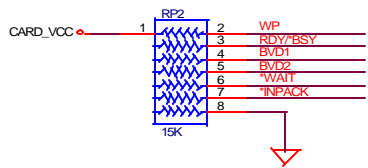
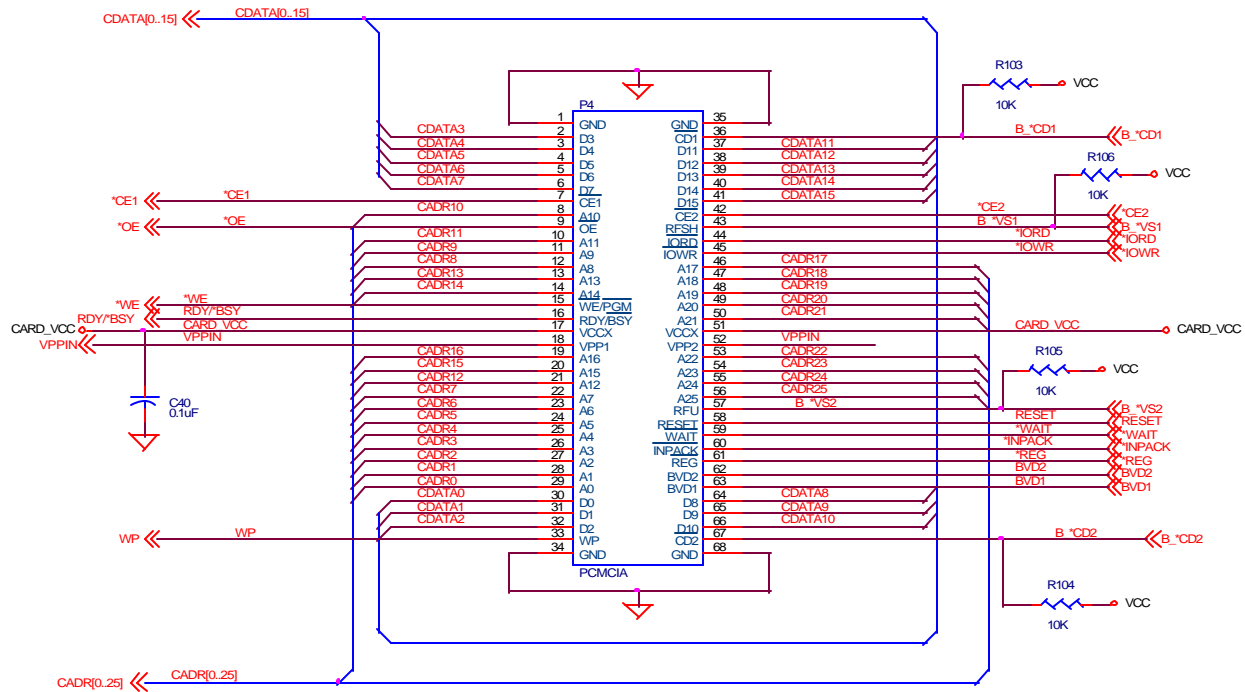
These schematics are provided as a design guide only.
 Vadem assumes no responsibility for final system design.

VADEM		
Title VG-469 REF #5 DRIVE BAY - CABLE CONNECTORS		
Size B	Document Number	Rev 1
Date: Thursday, February 06, 2003	Sheet 8	of 11



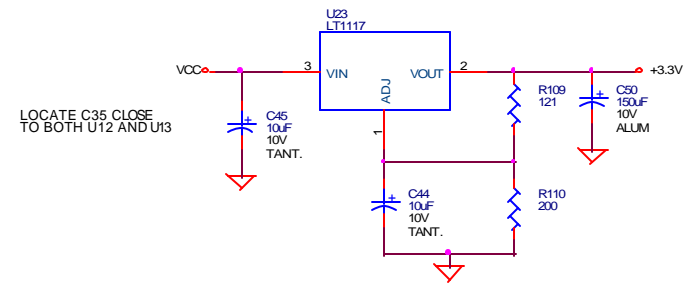
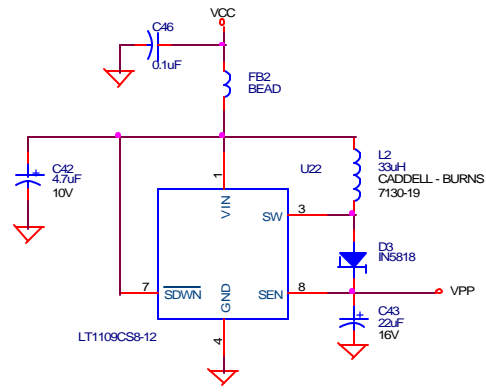
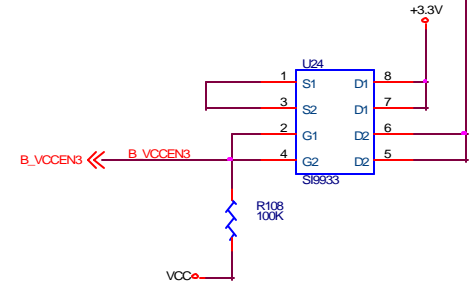
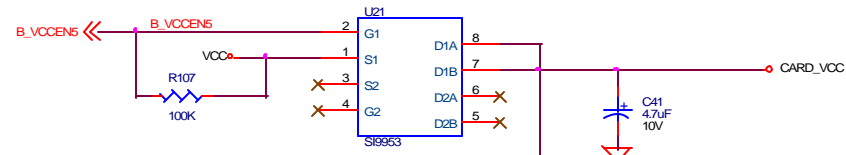
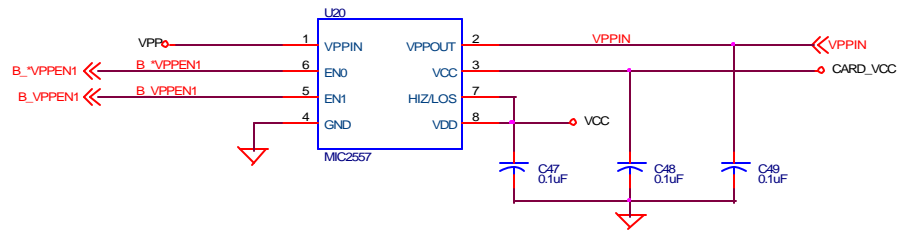
These schematics are provided as a design guide only. Vadem assumes no responsibility for final system design.

VADEM		
Title: VG-469 REF #5 DRIVE BAY - BUFFERS		
Size: B	Document Number	Rev: 1
Date: Thursday, February 06, 2003	Sheet: 9	of 11



These schematics are provided as a design guide only.
Vadem assumes no responsibility for final system design.

VADEM		
Title VG-469 REF #5 DRIVE BAY - PCMCIA SLOT B		
Size B	Document Number	Rev 1
Date:	Wednesday, December 08, 1999	Sheet 10 of 11



LOCATE C35 CLOSE TO BOTH U12 AND U13

These schematics are provided as a design guide only. Vadem assumes no responsibility for final system design.

VADEM		
Title VG-469 REF #5 DRIVE BAY - POWER SWITCHES		
Size B	Document Number	Rev 1
Date: Thursday, February 06, 2003	Sheet 11	of 11