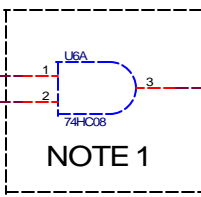
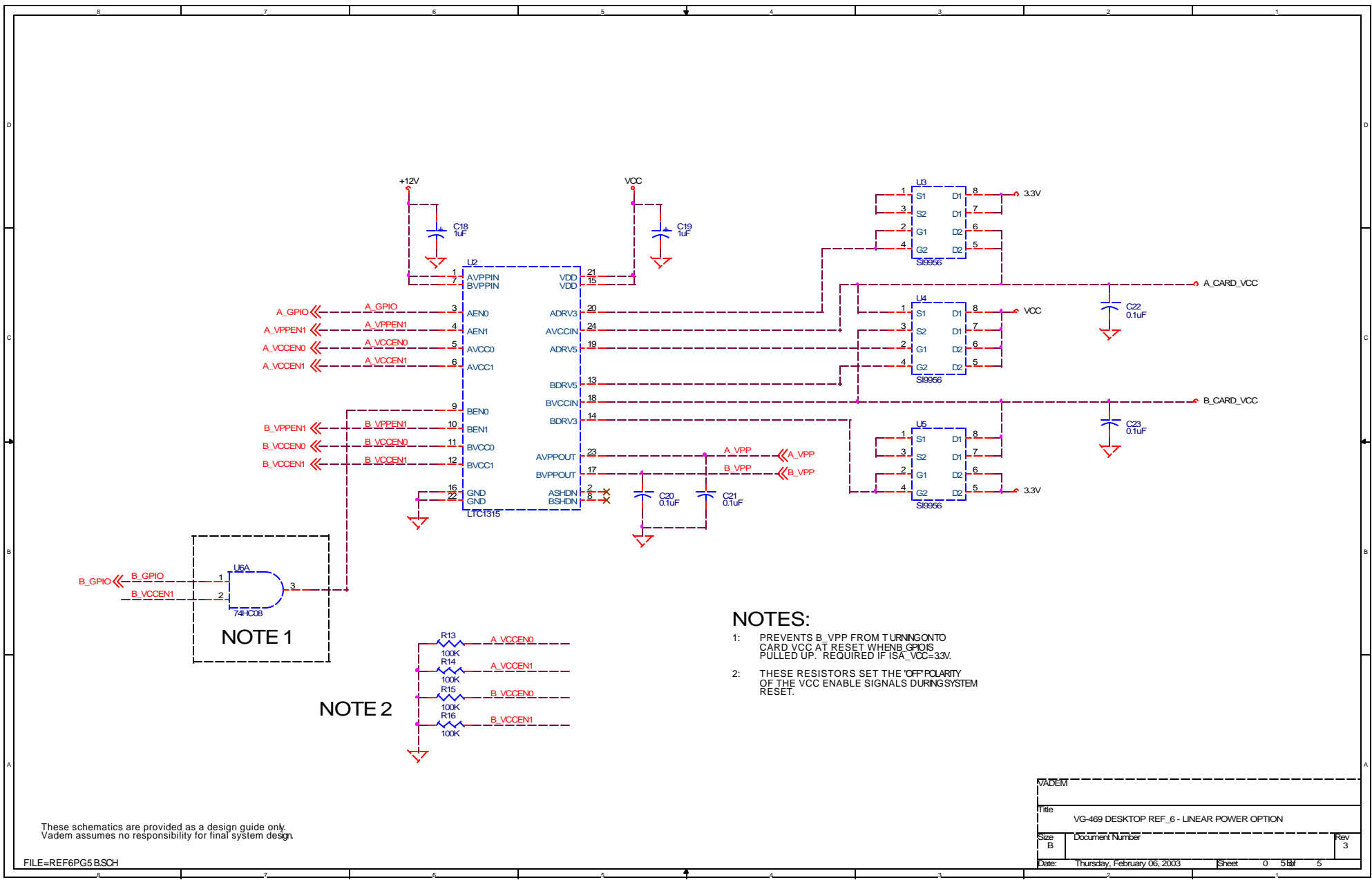


**NOTES:**

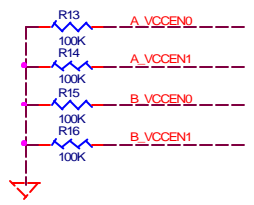
- 1: PREVENTS B\_VPP FROM TURNING ON TO CARD VCC AT RESET WHEN B\_GPIO IS PULLED UP. REQUIRED IF ISA\_VCC=3.3V.
- 2: THESE RESISTORS SET THE 'OFF' POLARITY OF THE VCC ENABLE SIGNALS DURING SYSTEM RESET.

These schematics are provided as a design guide only. Vadem assumes no responsibility for final system design.

VADeM		
Title VG-469 DESKTOP REF. 6 - MAXIM POWER OPTION		
Size I B	Document Number	Rev 3
Date: Thursday, February 06, 2003	Sheet 0 5A of 5	



NOTE 2



NOTES:

- 1: PREVENTS B\_VPP FROM TURNING ON TO CARD\_VCC AT RESET WHEN B\_GPIO IS PULLED UP. REQUIRED IF ISA\_VCC=3.3V.
- 2: THESE RESISTORS SET THE "OFF" POLARITY OF THE VCC ENABLE SIGNALS DURING SYSTEM RESET.

These schematics are provided as a design guide only. Vadem assumes no responsibility for final system design.

FILE=REF6PG5B.SCH

VADeM		
Title	VG-469 DESKTOP REF. 6 - LINEAR POWER OPTION	
Size	Document Number	Rev 3
Date:	Thursday, February 06, 2003	Sheet 0 of 5

# VG-469

## REFERENCE DESIGN #6

### DESKTOP IMPLEMENTATION

INTERNAL VOLTAGE SENSE  
NO DMA  
NO P&P

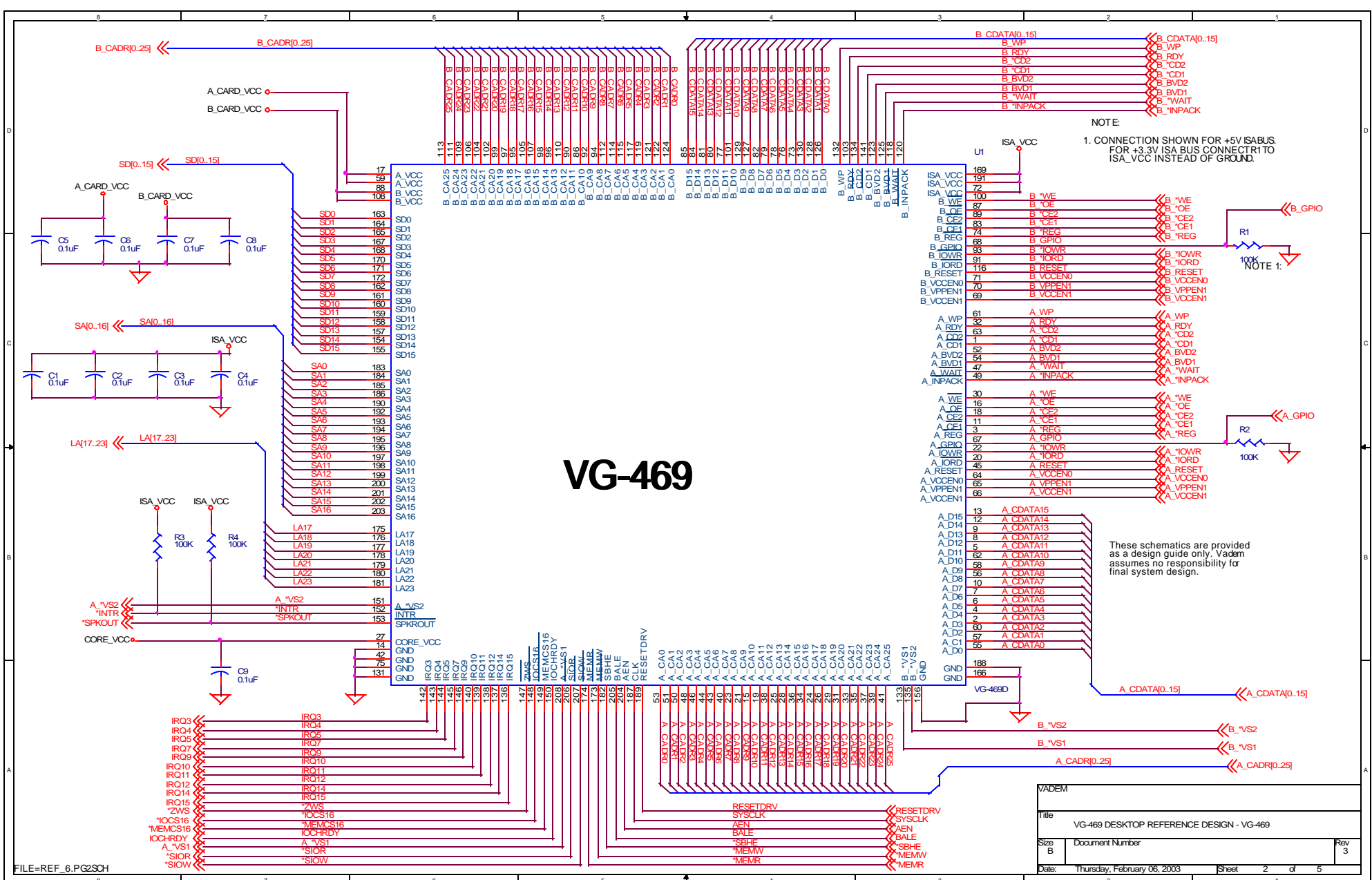
These schematics are provided as a design guide only.  
Vadem assumes no responsibility for final system design.

LINK  
REF\_6PG2.SCH  
REF\_6PG3.SCH  
REF\_6PG4.SCH  
REF\_6PG5.SCH  
REF6PG5A.SCH  
REF6PG5B.SCH

FILE=469REF\_6.SCH

VADEM		
Title VG-469 DESKTOP REFERENCE DESIGN		
Size B	Document Number	Rev 3
Date: Thursday, February 06, 2003	Sheet 1	of 5

# VG-469



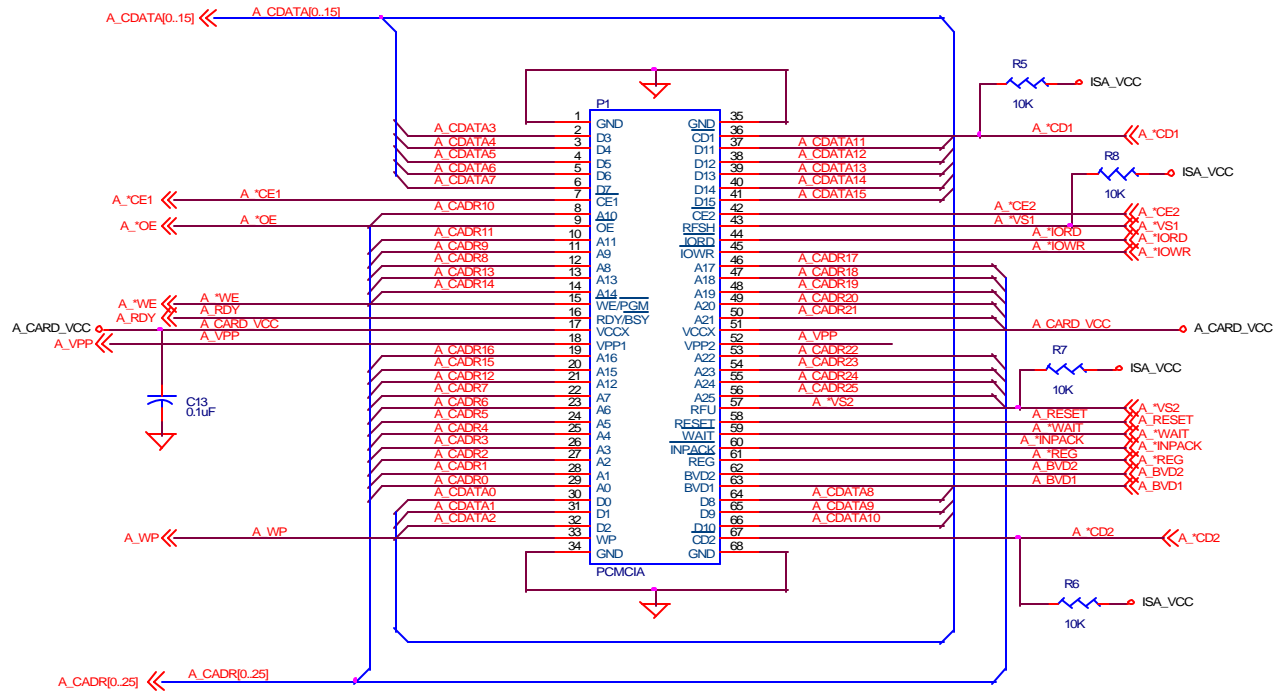
NOTE:  
1. CONNECTION SHOWN FOR +5V ISABUS FOR +3.3V ISA BUS CONNECTOR TO ISA\_VCC INSTEAD OF GROUND.

R1  
100K  
NOTE 1:

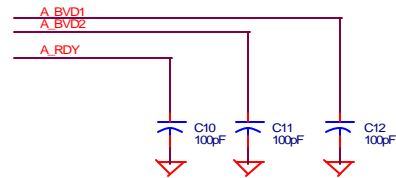
R2  
100K

These schematics are provided as a design guide only. Vadem assumes no responsibility for final system design.

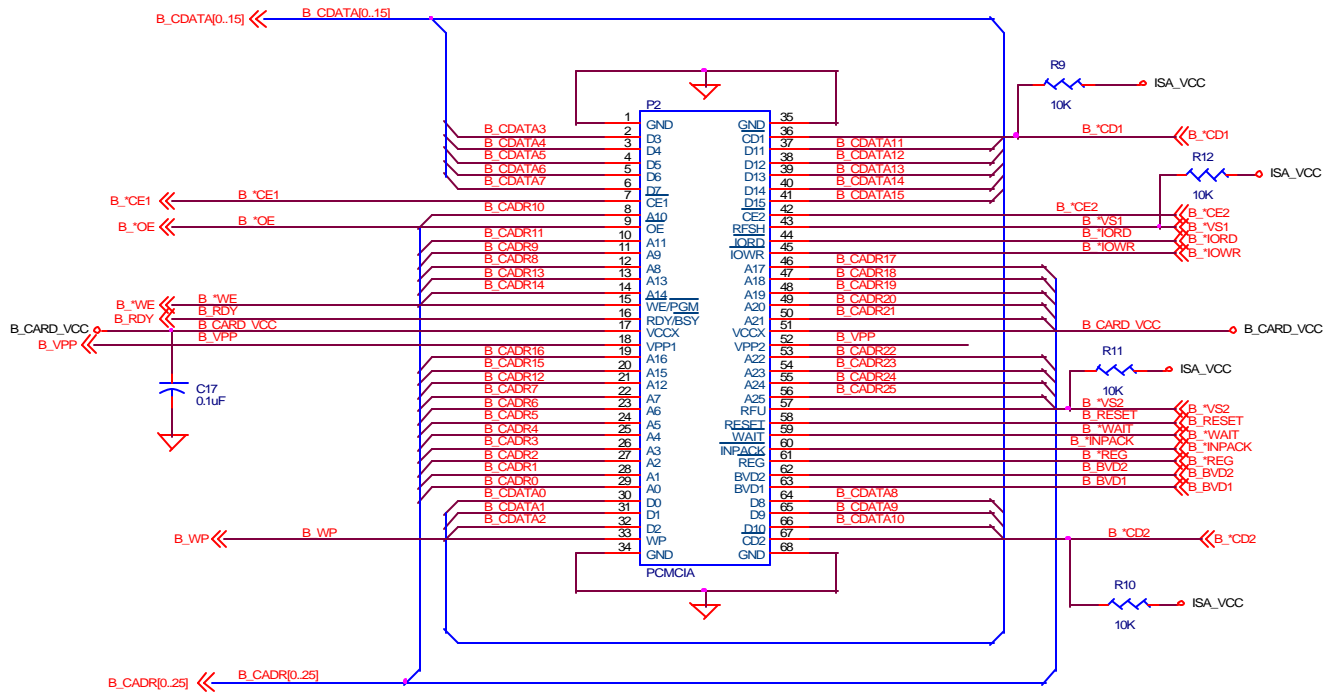
VADDEM		
Title: VG-469 DESKTOP REFERENCE DESIGN - VG-469		
Size: B	Document Number	Rev: 3
Date: Thursday, February 06, 2003	Sheet: 2	of 5



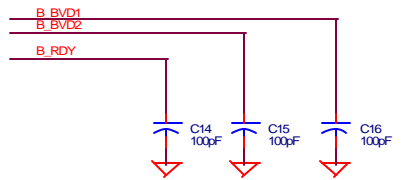
These schematics are provided as a design guide only.  
Vadem assumes no responsibility for final system design.



VADEM		
Title VG-469 DESKTOP REFERENCE - PCMCIA SLOT A		
Size B	Document Number	Rev 3
Date:	Thursday, February 06, 2003	Sheet 3 of 5

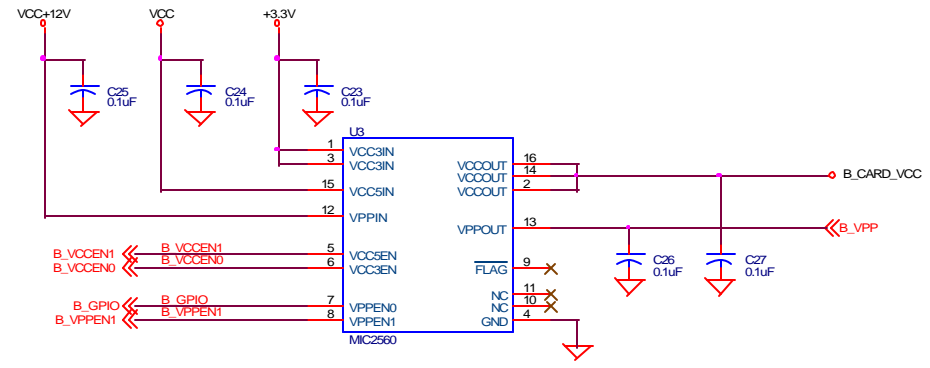
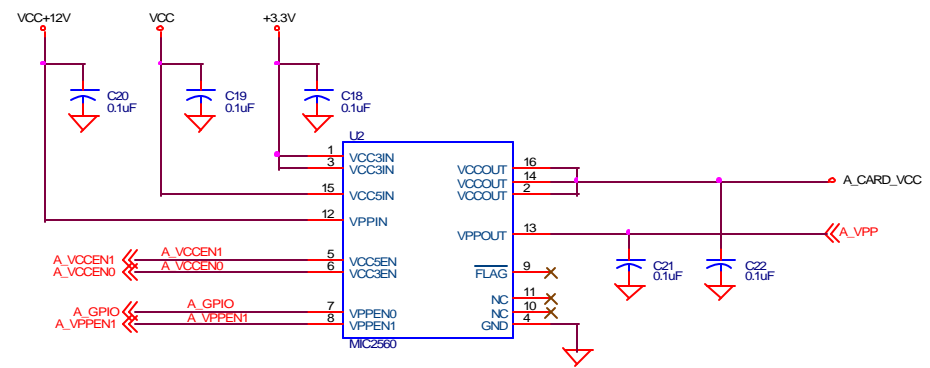
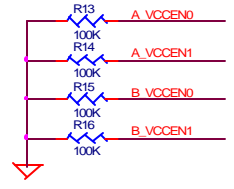


These schematics are provided as a design guide only. Vadem assumes no responsibility for final system design.



VADEM		
Title VG-469 DESKTOP REFERENCE - PCMCIA SLOT B		
Size B	Document Number	Rev 3
Date: Thursday, February 06, 2003	Sheet 4	of 5

NOTE:  
 THESE RESISTORS SET  
 THE "OFF" POLARITY  
 OF THE VCC ENABLE  
 SIGNALS DURING SYSTEM  
 RESET.



These schematics are provided as a design guide only.  
 Vadem assumes no responsibility for final system design.

VADEM		
Title: VG-469 DESKTOP REF. 6 - MICREL POWER OPTION		
Size: B	Document Number	Rev: 3
Date: Thursday, February 06, 2003	Sheet: 5	of 5